

Duct Averaging Sensors Long Bendable Probe, RTD

Product Description

The Duct Averaging Temperature Sensor assembly senses the average air temperature in ductwork where mixing baffles are not provided or where stratification occurs. Each sensor assembly mounts on sheet metal ducts.


Contents

- Long, bendable, platinum RTD averaging element
- Electrical box for wiring connections

Product Number

Product Number	Sensing Element	Range
544-342-XX	1000 Ω Pt (375 α)	20°F to 120°F (-7°C to 49°C)
XX	Insertion Length in Feet (m)	
8	8 (2)	
16	16 (5)	
24	24 (7)	

Warning/Caution Notations

CAUTION:		Equipment damage or loss of data may occur if you do not follow a procedure as specified.
-----------------	---	---

Required Tools

- Wire cutters
- Small flat-blade screwdriver
- Medium flat-blade screwdriver
- Four No. 10 x 1-inch sheet metal screws
- Electric drill and 1/2-inch and 7/8-inch drill bits
- No. 27 drill bit for screw holes
- Tin snips
- Wire ties suitable for service in the ductwork

Expected Installation Time

2.5 hours

Recommended Sensing Element Arrangements

Figures 1 and 2 show the sensing element arrangements. They provide the fastest response when the element is exposed to cold temperatures. Figure 1 shows the most practical mounting arrangement; it does not require inside access to the duct. The other sensing element arrangements require inside access to the duct.

Mounting Hardware

Required for limited access duct mounting option (See Figure 1):

- Two mounting flanges (P/N 808-412).
- 16 No. 10 x 1-inch sheet metal screws.
- Tin snips.
- Pre-cut and drilled 8 x 4-inch (200 x 100 mm) piece of sheet metal.
- Support rod of 3/8-inch OD copper or suitable equivalent, long enough to fit diagonally across the duct.

Required for walk-in duct mounting option (See Figure 2):

- Perforated steel hanger strap long enough to traverse the duct at least twice.
- Wire ties suitable for service in the ductwork.
- Four No. 10 x 1-inch sheet metal screws.

Prerequisites

- The signal wiring must be pulled to the installation site and enclosed in 3/8-inch or 1/2-inch (13 mm) flexible conduit.
- For the limited access duct option, mount one P/N 808-412 mounting flange and the sensor on the 8 x 4-inch sheet metal plate.

Instructions for Limited Access Duct Mounting Option



CAUTION:

The duct sensing element is used to detect temperature stratification in the duct. For proper operation, be sure to mount the sensing element at an angle, as shown in Figure 1.

When uncoiling the sensing element, do NOT severely bend or kink the element. The diameter of any bend should be no less than six inches (152 mm).

1. Position one P/N 808-412 mounting flange on the opposite side of the duct (near the bottom) from where the 8 × 4-inch (200 mm × 100 mm) mounting plate is to be mounted. See Figure 1. Mark the four screw holes and the 1/2-inch (13 mm) center hole of the mounting flange.
2. Drill the screw holes with the No. 27 drill bit.
3. Drill the center hole using a 1/2-inch (13 mm) drill bit.
4. Mount the mounting flange on the duct.
5. Cut a vertical access hole six inches high × two inches wide (150 × 50 mm) (near the top of the duct) on the side opposite of the previously mounted mounting flange (see Figure 1). Mark and drill mounting screw holes for the sheet metal plate.

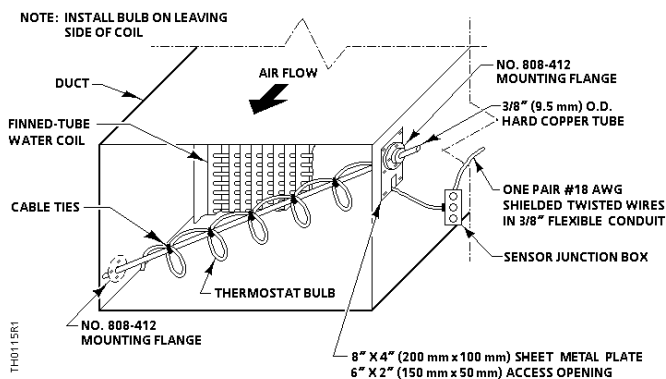


Figure 1. Limited Access Duct Mounting Option.

6. Cut a length of 3/8-inch OD hard copper tubing to fit diagonally across the duct. Insert the tube through the mounting flange on the 8 × 4-inch (200 mm × 100 mm) mounting plate. Stretch out the sensing element and fasten it to the copper tube using the cable ties.
7. Insert the tubing and attached sensing element through the access hole and into the mounting flange on the opposite side. Insert the attached sensing element through the hole located on the mounting plate.
8. Fasten the sheet metal plate to the duct. Tighten the securing screws on each of the mounting flanges.

NOTE: If leakage occurs around the sheet metal plate, use caulking, glue or liquid gasket to seal the leak.

9. Attach the junction box and conduit; pull wires and terminate (see Figure 3). Replace the cover.

The installation is now complete.

NOTE: Inserting the duct sensing element into a round duct requires modification of these instructions.

Instructions for Large Walk-in Ducts Mounting Option

NOTE: The duct sensing element should be mounted in a horizontal, serpentine manner as shown in Figure 2.

1. Position and mark the screws holes for the two or more steel straps, as shown in Figure 2.



CAUTION:

The wide part of the hanger strap must be parallel to the airflow in the duct to ensure minimum airflow resistance.

Instructions for Large Walk-in Ducts Mounting Option, Continued

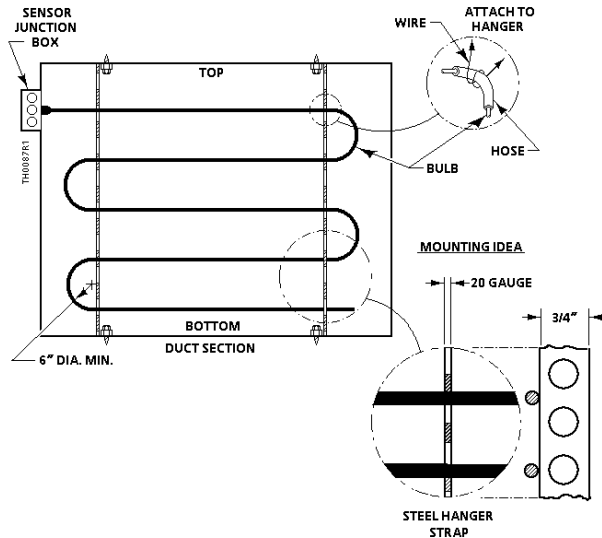


Figure 2 Large Walk-In Duct Mounting Option.

2. Use the No. 27 drill bit to drill holes for the hanger straps.
3. Mount the two perforated steel strap hangers inside the duct.
4. Position the sensor junction box on the duct and mark the four mounting holes and center hole. Use a No. 27 drill bit to drill the mounting holes and a 7/8-inch (22 mm) drill bit to drill the center hole.

5. With the sensing element still coiled, thread the sensing element through the center hole using a rotary movement.
6. When the sensing element has been completely inserted into the duct, mount the sensor junction box on the duct.
7. Carefully uncoil the sensing element, avoiding sharp bends or kinks.



CAUTION:

When uncoiling the sensing element, do NOT severely bend or kink the element. The diameter of any bend should be no less than six inches (152 mm).

8. Attach the junction box and conduit; pull wires and terminate (see Figure 3). Replace cover.

The installation is now complete.

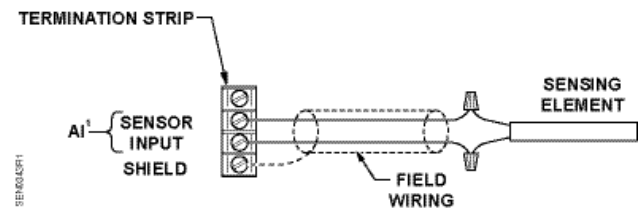


Figure 3 Typical Wiring Connection.

NOTES: 1. Siemens Building Technologies, Inc. controllers may require a shield termination.

2. For individual panel wiring details, see the appropriate hardware manual.

Instructions for Large Walk-in Ducts Mounting Option, Continued

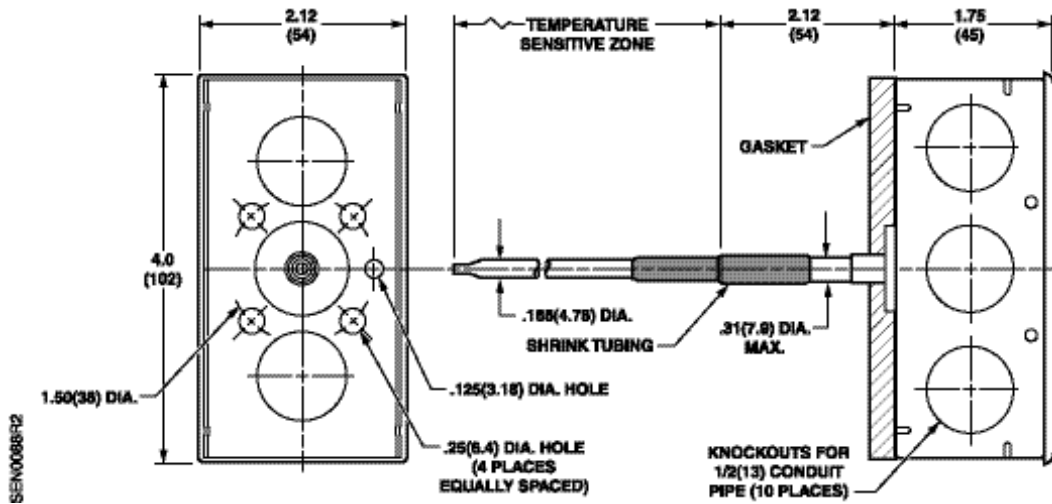


Figure 4. Mounting Hole Locations and Dimensions of Sensor Junction Box.

Information in this publication is based on current specifications. The company reserves the right to make changes in specifications and models as design improvements are introduced. Products or company names mentioned herein may be the trademarks of their respective owners. © 2008 Siemens Industry, Inc.